



Robust, Minimal Profile, Linear Displacement Sensor.

Brand new to the market, this hall effect based linear displacement sensor is designed to work in the harshest environments in motorsport, withstanding rain and dirt easily. Fully enclosed in resin, the sensor can be used under water or in oil. Easy to install with universal fitment. The sensor only needs to be as long as the displacement being measured, meaning it can be used to minimise the obstruction to surrounding parts. Enclosures, lengths, connectors, profile, and CAN configuration are fully customisable upon request.

Electrical

Supply Voltage	6v to 40v DC
Supply Current	60mA to 70mA
Reverse Polarity Protection	Yes
Short Circuit Protection	Yes
Resolution	0.1mm
Output	CAN (mm Value), Analog 0-5V
Measurement Rate	1,000 Hz

Range Options

Measurement Range (Drawing Dimension A)	0mm to 105mm - 165mm
Precision	±0.1mm

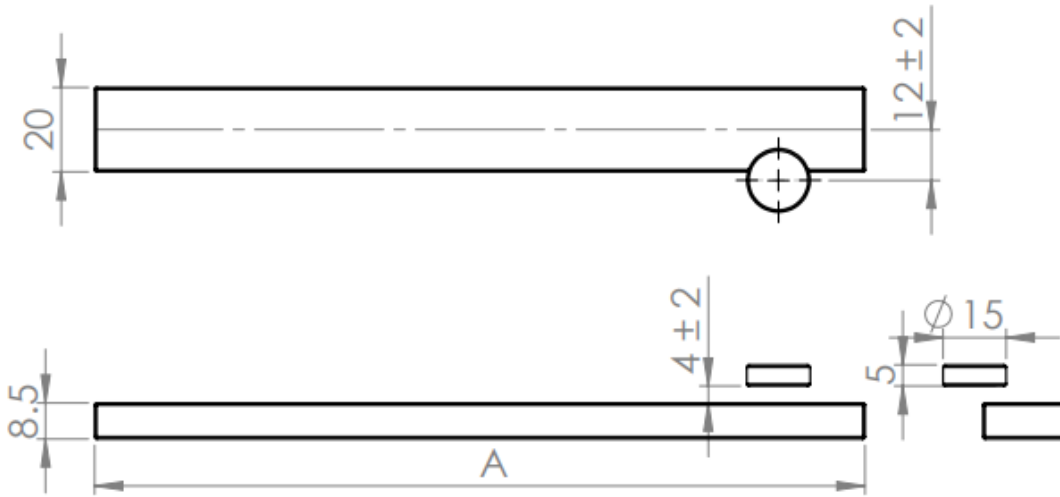
Mechanical

Length	122.5mm to 182.5mm
Width	20mm
Height	8.5mm
Weight	≈50g
Body Material	Aluminium Alloy
Finish	Natural

Environment

Operating Temperature	-20°C to +125°C
-----------------------	-----------------

Drawing



Range	A
165mm	182.5
150mm	167.5
135mm	152.5
120mm	137.5
105mm	122.5